

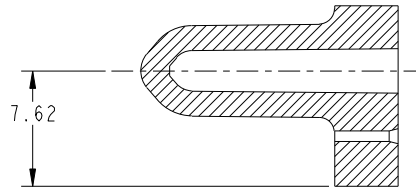
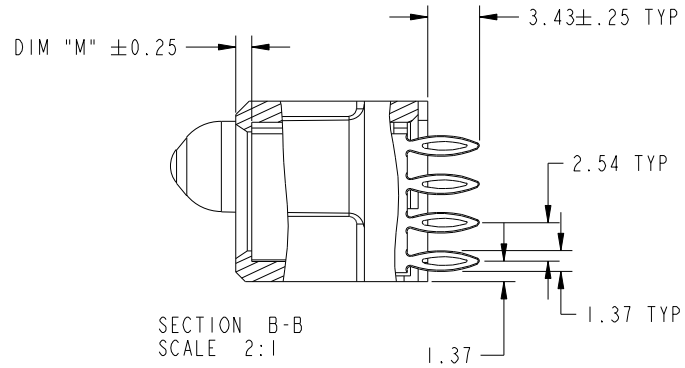
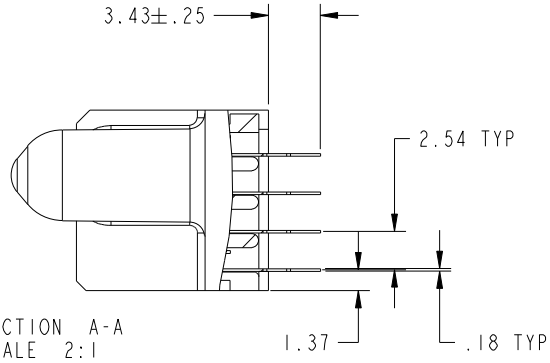
Tous droits strictement reserves. Reproduction ou communication a des tiers interdite sous quelque forme que ce soit sans autorisation ecrite du proprietaire. Propriete de c FCI. Droits de reproduction FCI.

All rights strictly reserved. Reproduction or issue to third parties in any form whatever is not permitted without written authority from the proprietor. Property of FCI. Copyright FCI.



PRODUCT NUMBER

51940-027--
NOTE: 3



mat'l code		SEE NOTE		tolerances unless otherwise specified		CUSTOMER		 www.fciconnect.com	
lfr	ecn no.	dr	date	linear	0.X ± 0.5	COPY		title	
C					0.XX ± 0.25	projection		32S + IIP	
					0.XXX ± 0.10			VERTICAL PRESS FIT RECEIPT	
				angles	0° ± 2°			product family	
				dr	C. DAILY 12/11/02	MM		PwrBlade	
				engr	M. MOSTOLLER 12/11/02			code	
				chr	M. MOSTOLLER 12/11/02	1:1		213	
				appd	M. MOSTOLLER 12/11/02	A		sheet	
sheet index		revision sheet				51940-027		2	

A

A

B

B

1 | 2

3 |

4

1 | 2

Pro/E

PDM: Rev: C

STATUS: Released

Printed: Sep 26, 2008

cage code

22506

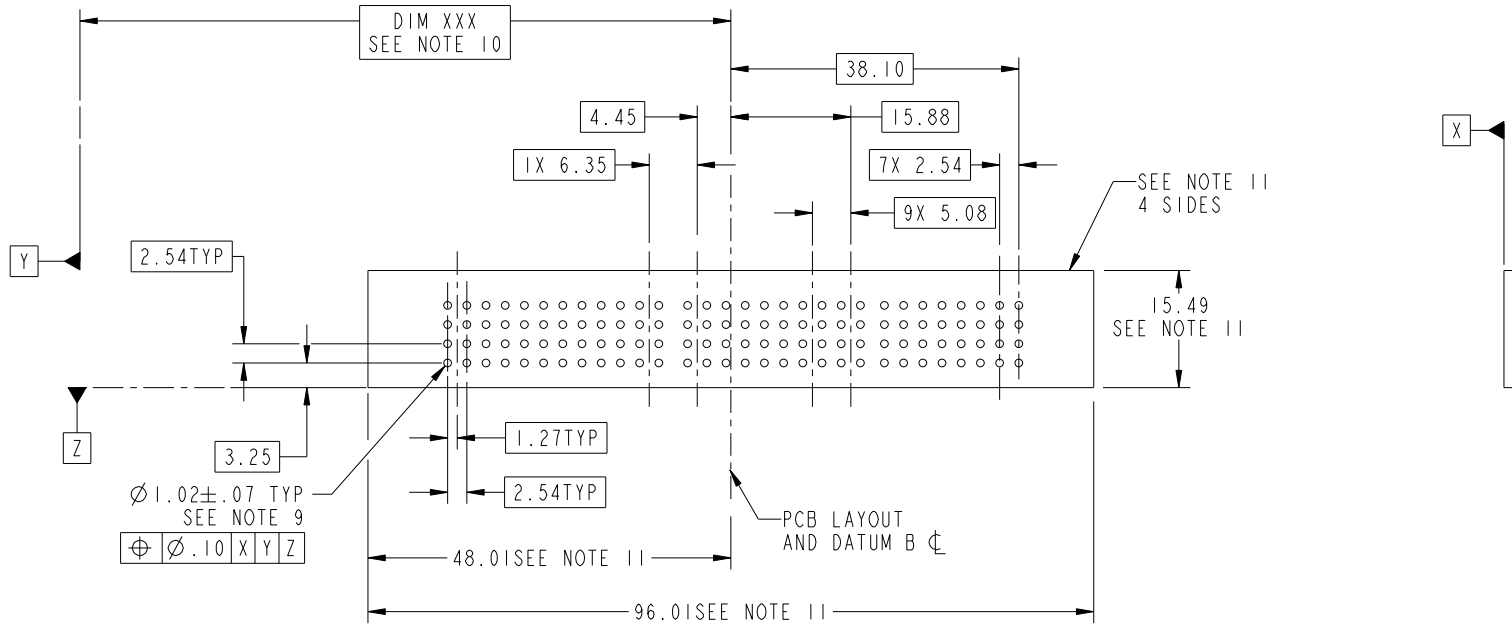
4

Tous droits strictement reserves. Reproduction ou communication a des tiers interdite sous quelque forme que ce soit sans autorisation ecrite du proprietaire. Propriete de c FCI. Droits de reproduction FCI.



All rights strictly reserved. Reproduction or issue to third parties in any form whatever is not permitted without written authority from the proprietor. Property of FCI. Copyright FCI.

PRODUCT NUMBER
51940-027--
NOTE: 3



mat'l code		SEE NOTE		tolerances unless otherwise specified		CUSTOMER		 www.fciconnect.com	
lir	ecn no.	dr	date	linear	0.X ± 0.5	COPY		title	
C					0.XX ± 0.25	projection		32S + IIP	
				angles	0.XXX ± 0.10			VERTICAL PRESS FIT RECEIPT	
				dr	0° ± 2°	MM		product family PwrBlade	
				enrg	C. DAILY 12/11/02	scale		code	
				chr	M. MOSTOLLER 12/11/02	1:1		213	
				appd	M. MOSTOLLER 12/11/02	A		sheet	
sheet index	revision sheet					51940-027		3	

Tous droits strictement reserves. Reproduction ou communication a des tiers interdite sous quelque forme que ce soit sans autorisation ecrite du proprietaire. Propriete de c.FCI. Droits de reproduction FCI.

All rights strictly reserved. Reproduction or issue to third parties in any form whatever is not permitted without written authority from the proprietor. Property of FCI. Copyright FCI.



1 | 2

3

4

PRODUCT NUMBER

51940-027--
NOTE: 3

NOTES:

1. DIMENSIONS AND TOLERANCES ARE IN ACCORDANCE WITH ASME Y14.5M, 1994 UNLESS OTHERWISE SPECIFIED.

CONNECTOR NOTES:

② HOUSING MATERIAL: UL 94 V-0 GLASS FILLED
HIGH-TEMP THERMOPLASTIC
POWER CONTACT MATERIAL: COPPER ALLOY
SIGNAL PIN MATERIAL: COPPER ALLOY

△³. PLATING:
SEE ITEM 788 IN PRINT 10064183 FOR PLATING SPEC OF 51940-027; 51940-027LF PRESPECTIVELY

④ MANUFACTURER'S NAME, P/N, AND DATE CODE TO APPEAR ON THIS SURFACE.

5. PRODUCT SPECIFICATION GS-12-149.
APPLICATION SPECIFICATION BUS-20-067.

6. PACKAGED IN TRAYS.

PCB NOTES:

7. ALL HOLE DIAMETERS ARE FINISHED HOLE SIZE.

⑧ MOUNTING HOLES, WHERE APPLICABLE, ARE UNPLATED.

⑨ $\varnothing 1.151 \pm 0.025$ DRILLED HOLES PLATED WITH 0.008 MIN SnPb OR Sn OVER 0.03 TO 0.08 Cu PLATING TO ACHIEVE $\varnothing 1.02 \pm .07$ HOLE.

⑩ "DIM XXX" TO BE DETERMINED BY THE CUSTOMER.

⑪ CONNECTOR KEEP-OUT ZONE.

12. △ SYMBOL WILL BE NEXT TO ANY DIMENSION, VIEW, OR NOTE WHICH HAS BEEN MODIFIED WITH THE CURRENT DRAWING REVISION.

mat'l code				SEE NOTE		tolerances unless otherwise specified		CUSTOMER		 www.fciconnect.com	
lir	ecn no.	dr	date	linear	0.X ±0.5		COPY		 projection	title	
C					0.XX ±0.25					32S + IIP	
					0.XXX ±0.10					VERTICAL PRESS FIT RECEIPT	
				angles	0° ±2°		 MM		 scale 1:1	product family	
				dr	C. DAILY	12/11/02	PwrBlade			code	
				enrg	M. MOSTOLLER	12/11/02	size	dwg no		213	
				chr	M. MOSTOLLER	12/11/02	A	51940-027	sheet		
				appd	M. MOSTOLLER	12/11/02			4		
sheet index	revision sheet										

A

A

B

B

1 | 2

Pro/E

PDM: Rev: C

STAT: Released

Printed: Sep 26, 2008

cage code 2856

4